

WISDOM

NEW WISDOM INVESTMENT LIMITED

Product Description

CORDLESS 2

Cordless Lamp

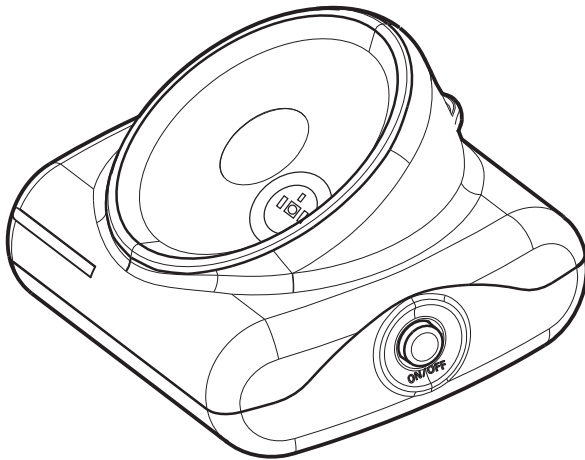


English

Lighter • Brighter • Nicer

TABLE OF CONTENTS

1	FEATURES AND ADVANTAGES.....	1
2	TECHNICAL SPECIFICATIONS	4
3	PARTS.....	5
4	USER GUIDE.....	7
5	TROUBLE AND TROUBLESHOOTING.....	14
6	NOTES.....	15
7	SAFETY WARNINGS.....	16
8	PACKAGE	17



English

1 Features and Advantages

The innovatively designed New Wisdom **Cordless 2** is our second generation of cordless miner cap lamp. The sagging down problem is the most obvious disadvantage of the normal cordless cap lamp. New Wisdom **Cordless 2** is designed in a flat style and mounted close to helmet to minimize the leverage effect. Additionally, its max weight is only 175g, so the sagging down is hardly felt and even can be ignored. The optional rotatable clip of **Cordless 2** makes it convenient to set the light beam at any practical angle. **Cordless 2** is perfectly created with industrial design, electronic design, software design, production craft design and user-friendly design. It applies the most advanced technology of the LED light source and high-capacity li-ion battery technology to create a brighter and lighter cordless miner lamp—**Cordless 2**. The cordless cap lamp **Cordless 2** is designed to withstand the harshest underground conditions such as the coalmines and metal mines etc. The significant features are as the follows:

1.1 Different models for option

There are four optional models of the **Cordless 2** including Cordless 2A, Cordless 2B, Cordless 2C, Cordless 2D, which differs in the applied battery and PCB. Users can choose suitable models according to their requirements for usage and price.

1.2 Super light

The lightest model of Cordless 2 weighs only 128g, which is half weight of the normal cordless lamp of other brands.

1.3 The small center of gravity offset

We strongly optimized the position of the center of gravity of the miner lamp of NEW WISDOM **Cordless 2**. The center of gravity offset affect of the lamp on the cap is very small, there is no significantly staging down feel.

1.4 Adjustable lighting angle

A rotatable clip is available for you to adjust 47° lighting angle to meet different requirements for long-range and short-range lighting.

1.5 Super bright and stable

Advanced LED light source of 186Lumens and outstanding drive circuit are applied to the main light source to keep the lamp super bright and stable (7000Lux~11000lux in 1m). During the working time, more than 13h, the brightness remains the same from the beginning to the end. The delicately designed reflector reduces the light absorption, which greatly

improves the brightness.

1.6 Safe, reliable and maintenance-free

The **Cordless 2** Li-ion battery is maintenance-free. Moreover, the battery pack PCB can protect the battery from over charge, over discharge, over current, and short circuit so that the battery won't explode or burn. Therefore, the safety and reliability of **Cordless 2** are well guaranteed.

1.7 Explosion-proof and impact-resistance

Cordless 2 housing is made of bulletproof PC of German Bayer brand. The optimized mold design not only strengthens the hardness of the housing but also lessens the internal stress, which makes **Cordless 2** stronger in impact resistance and more durable in life span.

1.8 Super waterproof

The lamp is IP68 certificated which is the highest level of waterproof, the lamp is workable under 15meters of water, all the metal parts such as the cap lamp clip, screw etc. are made of stainless steel, therefore, it is able to work stably under harsh working conditions.

1.9 Environmentally friendly

The cap lamp is designed in accordance with RoHS, which is strictly followed during the whole process, from material selection to production craft design.

1.10 Longer life span

The **Cordless 2** cap lamp can work more than 13 hours after fully charged. Its main light source has a life span of more than 30000h after applied to the lamp. Li-ion battery can be charged more than 1200 cycles if the lamp works in reasonable conditions. Therefore, there is no need to replace the light source and battery during its whole life span.

With above features, you will get advantages to use our lamps:

- (1) Free you from the inconvenience caused by electrical cable and the burden of a battery pack. Eliminate the possibility of any accident by bumping or snagging cable cord and improve work efficiency;
- (2) Very light weight, even lighter than a headpiece which is only a part of traditional corded cap lamps;
- (3) Adjustable angle makes the light reach wherever you see, near or far ---- to read and write, repair equipment or check the ceiling, significantly reducing dead corners with Natural LED light for a comfortable light environment;
- (4) IP68 housing with a fully integrated and sealed structure, and solid light source is designed for the harshest underground mining conditions;
- (5) No charging socket design for further seal protection;
- (6) Extraordinary safety - no acid or any toxin spilled, no flammable materials exposed, no

heat on lens surface, no danger at all;

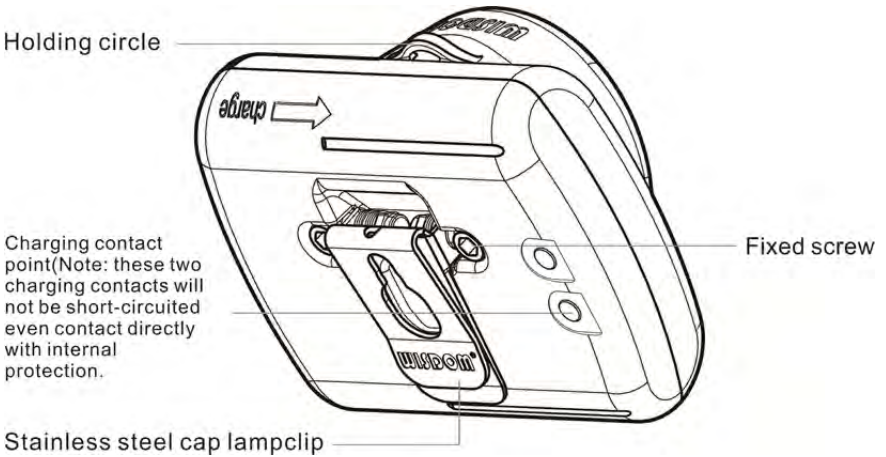
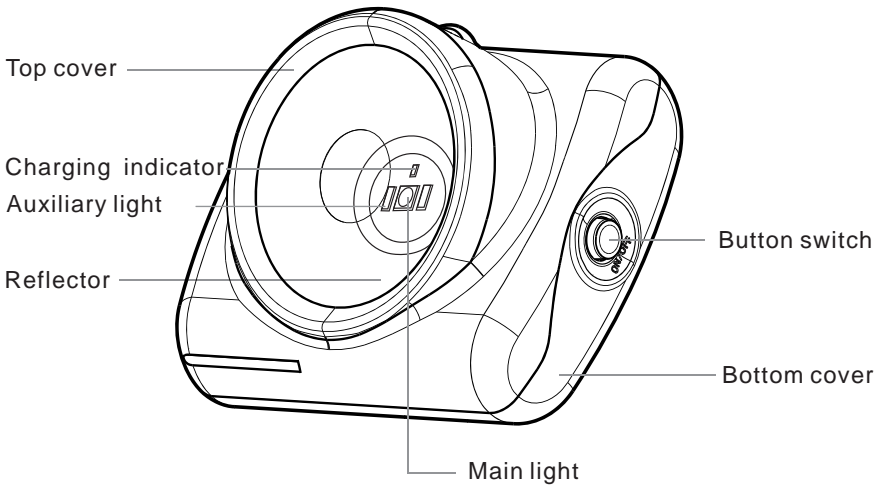
(7) Easy to charge. Strong protection from over voltage, over current, over charge and over discharge.

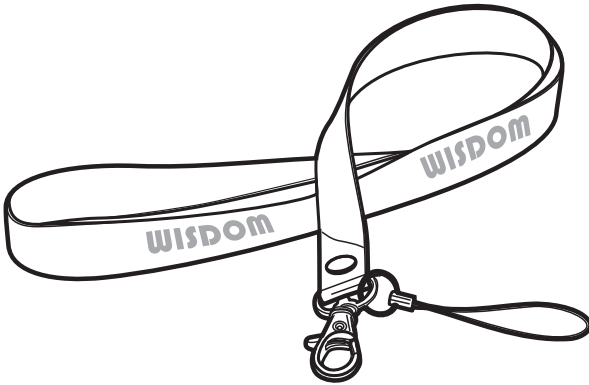
(8) Save the cost: the lamp is very small and covers a little space on the charger rack; the surface is very smooth and easy to clean; no need to change the parts because there is no cable, bulb and headpiece; no need to repair; no need to look after charging.

2 Technical Specifications

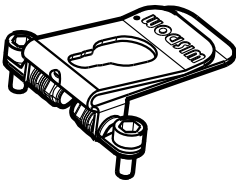
Features	Specifications			
model	Cordless 2A	Cordless 2B	Cordless 2C	Cordless 2D
Rated capacity	≧6.2Ah	≧4.4Ah	≧3.1Ah	≧2.2Ah
Rated voltage	3.7V			
Continuous working time	≧13 h	≧13 h	≧13 h	≧7 h
Main light LED Working voltage	2.7~3.5V			
Main light LED Working current	480mA	380mA	260mA	380mA
Main light Power	1.42W	1.11W	0.74W	1.11W
Main light Luminous flux	186Lm	150Lm	105Lm	150Lm
Lamp lighting degree	7500Lux~11000L	6000Lux~8000	4500Lux~6000	6000Lux~8000
Initial Lighting degree in 1m	ux	Lux	Lux	Lux
Main light life span	≧30000h			
Auxiliary light Power	0.4W			
Auxiliary light life span	≧20000h			
Short circuit protect time	<320μS			
Life span of the battery (recharges)	1200 cycles (in reasonable working condition)			
Charging time (by NWB-30)	5h	5h	5h	4h
Dimensions	83x63x45mm			
Weight	175g	175g	128g	128g

3 Parts

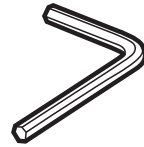




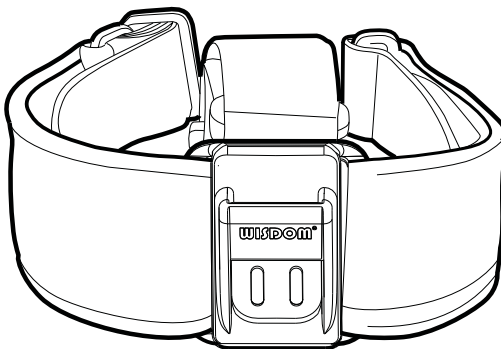
Strap to hold the lamp



Rotatable cap lamp clip



Hex-screwdriver

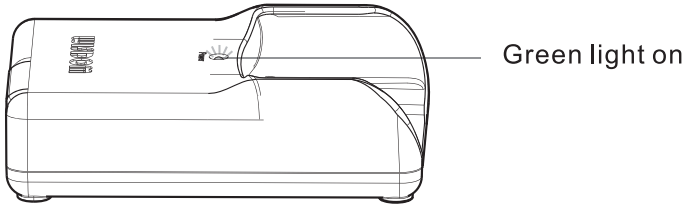


headrope

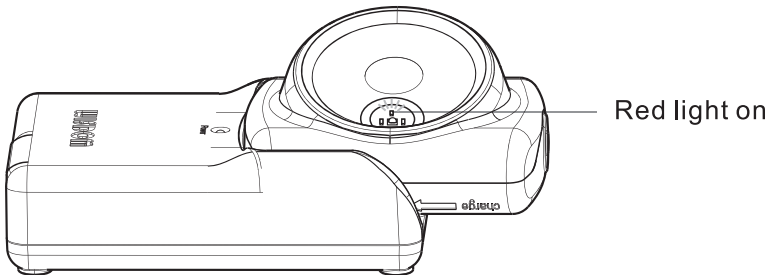
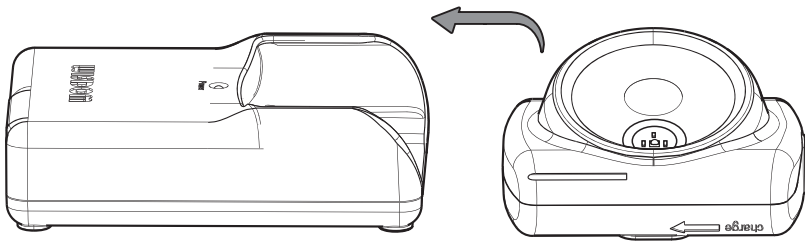
4 User Guide

4.1 Charging

Connect the single unit charger to the power or switch on the charger rack, the indicator light of the charger turns green.



Put the Cordless 2 miner cap lamp as below picture, the charging indicator in the Cordless 2 miner cap lamp turns red.



NEW WISDOM Cordless 2 miner cap lamp has charging status indicator. The charging indicator light is red means the lamp is charging; the charging indicator is green, means the battery is fully charged. During the charging process, the main light source and two auxiliary light sources emits a low light as the charging process status instructions.

During the charging process

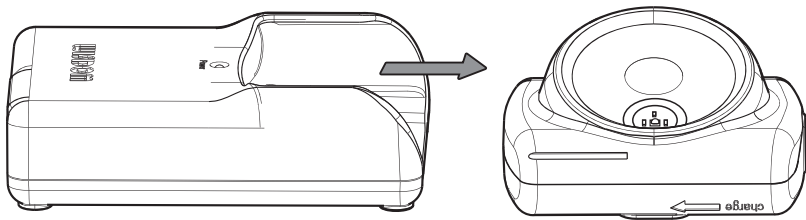
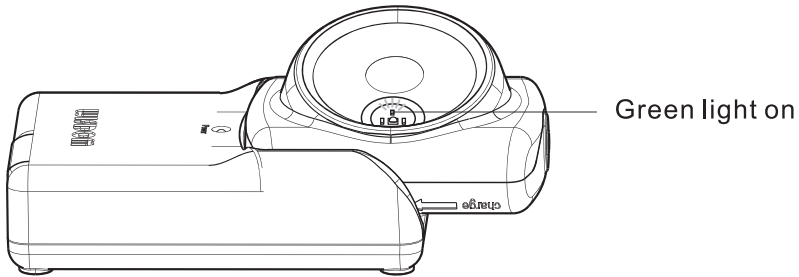
all the indicators are as following:

Process of charging	Status of the indicator
<p>Battery capacity \leq 1/3</p>	
<p>$1/3 <$ Battery capacity $\leq 2/3$</p>	
<p>Battery capacity $> 2/3$</p>	
<p>Fully charged</p>	

When fully charged, the charger indicator turns green from red; the main and auxiliary light are off.

Note: The above status instructions are just for reference because no accurate figures can be read from the charger.

You can use the lamp without being fully charged.



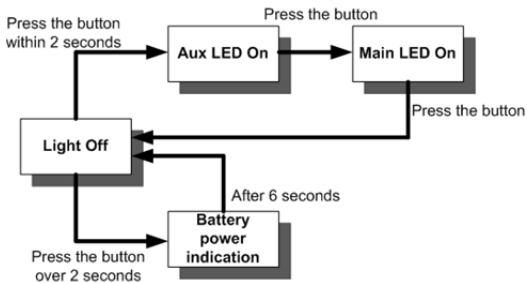
4.2 Switch

When the lamp is off, press the button for less than 2 seconds then the auxiliary light is on.

Press the button for more than 2 seconds then the battery power status indicator is on.

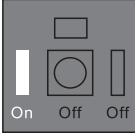
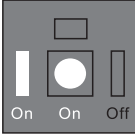
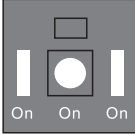
When the auxiliary light is on, press the button then the auxiliary light is off and the main light is on.

When the main light is on, press the button and the main light is off..



4.3 Battery power indicator

When the lamp is off, press the button for more than 2 seconds then the battery power indicator is on. The main light source and two auxiliary light sources emit a low light as the charging status instructions.

Battery capacity	Indicator state
Battery capacity $\leq 1/3$	
$1/3 <$ Battery capacity $\leq 2/3$	
Battery capacity $> 2/3$	

After the charging is finished, the battery capacity indicator is on for 6 seconds before off.

Note: The above status instructions are just for reference because no accurate figures can be read from the charger.

4.4 Two-stage low battery alarms and alarm cancel

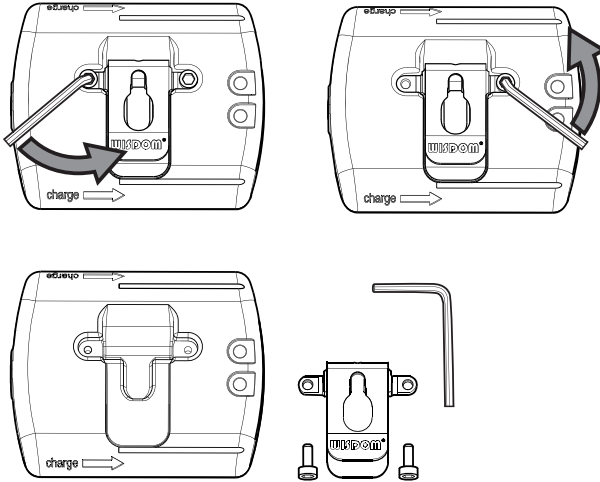
About one hour before the battery runs out, the main light source will alternately alarms with dark lights (0.5 seconds) every 5 seconds to warn that the battery is nearly exhausted and needs charging. If you do not want the lights flashing affect the lighting, press the switch button for more than 2 seconds, the main light source flashes twice to stop the alarm and enter the normal lighting condition

About 10 minutes before the battery runs out, the main light source will alternately alarms with dark lights (0.5 seconds) every 2 seconds to warn that the battery is running out, you need to immediately charge or switch to the auxiliary light source for longer working time.

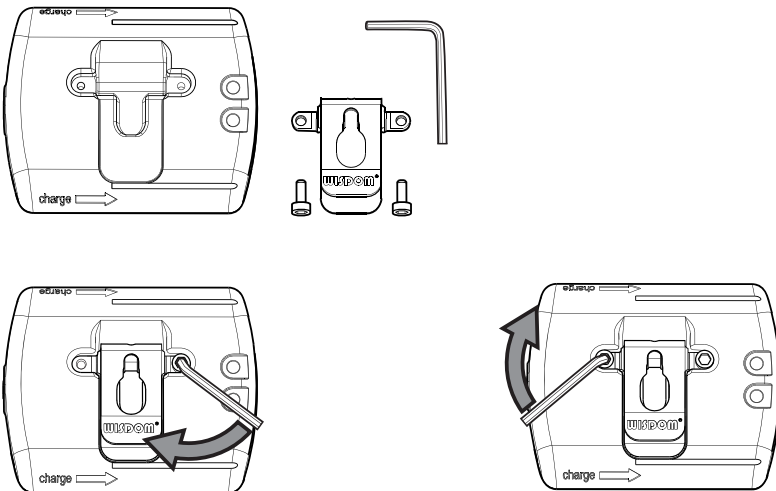
4.5 How to change the cap lamp clip

The defaulted cap lamp clip for the NEW WISDOM Cordless 2 is the fixed cap lamp clip. You can choose the rotatable cap lamp clip for option. When you need to change the cap lamp

clip, firstly use the hex-screwdriver anticlockwise to loose the screw and remove the fixed cap lamp clip.



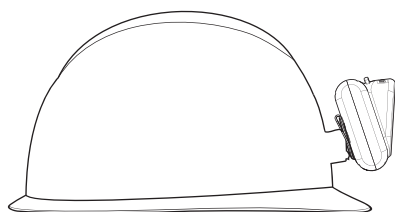
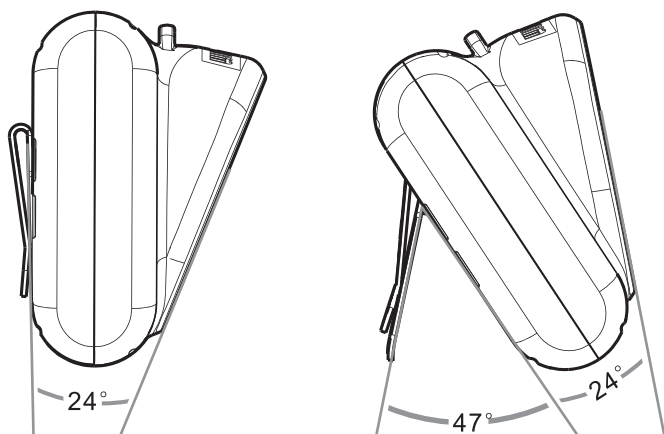
Put the rotatable cap lamp clip into the positioning slot, and then fix the rotatable cap lamp clip clockwise with the hex-screwdriver.



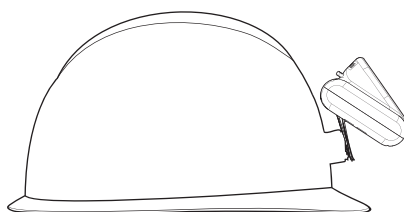
English

4.6 Lighting angle adjustment

The NEW WISDOM Cordless 2 with rotatable cap lamp clip can be rotated within 47° to adjust the angle between the lamp and the cap. In this way, you can adjust the lighting angle to meet the requirements for the short-range or the long-range lighting angle.



For the short-range lighting angle



For the long-range lighting angle

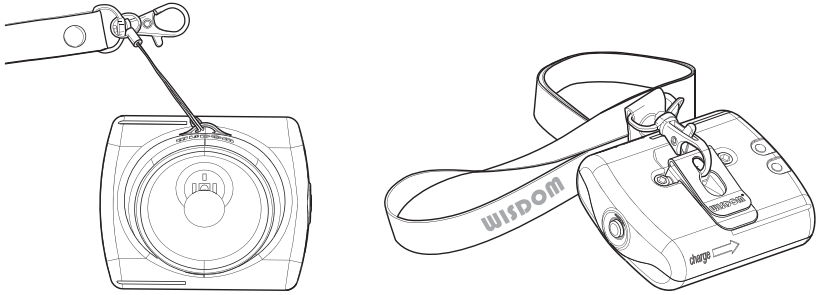
4.7 Fix the lamp on the wall

You can not only fix **Cordless 2** on cap with the clip, but also put it on the wall by hanging it on a nail with a strap.

4.8 Two ways to hold the lamp by the strap

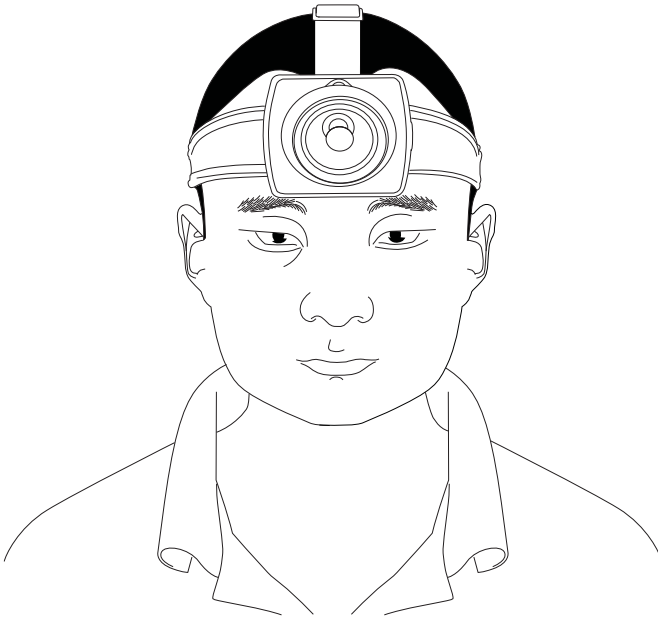
You can use the strap to hold the NEW WISDOM **Cordless 2** for more convenient usage.

There are two ways as following:



Way 1: hold with the circle in the lamp Way 2: hold with the cap lamp clip

4.9 schematic diagram for headrope use



5 Trouble and Troubleshooting

Trouble description	Trouble analysis	Troubleshooting
Light is not on when pressing the button	Battery power is used up	Charge the lamp
Working time is less than 13 hours	Battery is not fully charged	Making sure the lamp well connected to the charger when charging

6 Notes

The **Cordless 2** half charged before delivery, please fully charge it before using.

Please use our own matched chargers only to charge **Cordless 2**. Please don't use other chargers which are not specially designed for the Li-ion battery, or KL5M cap lamp may be damaged. To make sure the safety and reliability, please charge our lamps with our chargers that are specially designed for our lamps.

Please clean the lens timely for the best performance.

If the lamps need storing for a long period, please repeat the following maintenance steps every two months: full charged → completely discharged → charged for 2hours.

7 Safety Warnings

Please don't shoot at eyes directly while the lamp is working since the strong light will hurt eyes.

Please don't disassemble the cap lamp, or it may cause potential troubles related to safety, reliability, water resistance to work underground.

Please don't crash and strike the lamp.

Please don't charge the lamp underground.

Please keep the lamp away from fire sources.

Please don't maintain the lamp underground. All maintenance must be done on the ground!

Please don't repair by self-disassembly, otherwise the manufacturer will not be responsible for the warranty.

Please recycle the discarded cap lamp together rather than throwing them away without disposing.

8 Package

1pcs/box/120x 100x 83mm 28pcs/carton/38x22.5x44cm

N.W.:6kgs G.W.:9kgs

WISDOM

Telephone: 0086-755-83911841

www.wisdom.hk

Mailbox: info@wisdom.hk

Address: 4-306, xianglixincuen, Hongli West Road, shenzhen, China

Zip code: 518172

Product patents and certificates



Shenzhen Bontek Compliance Testing Laboratory Co., Ltd.

CE Certificate of Conformity

Certification number: BCT121C-1690E

Report number: BCT121R-1690E

Shenzhen Bontek Compliance Testing Laboratory Co., Ltd. hereby declares that testing has been completed and reports have been generated for:

Applicant: **NEW WISDOM INVESTMENT LIMITED**
Address: 4-306,Xianglixincun,hongli West Road,Shenzhen,China
Manufacturer: **NEW WISDOM INVESTMENT LIMITED**
Address: 4-306,Xianglixincun,hongli West Road,Shenzhen,China
Product: **CORDLESS 2**
Trademark: **WISDOM**
Model: **CORDLESS 2A, CORDLESS 2B, CORDLESS 2C,
CORDLESS 2D, CORDLESS 2E**

And, in accordance with the following applicable directives:

2004/108/EC Electromagnetic Compatibility

That this product has been assessed against the following applicable standards:

EN 55015:2006+A2:2009

EN 61547:2009

EMC

EN 61000-3-2:2006+A2:2009

EN 61000-3-3:2008

Therefore, Shenzhen Bontek Compliance Testing Laboratory Co., Ltd. hereby acknowledges that the applicant may issue a DECLARATION of CONFORMITY and apply the CE marking in accordance with European Union Rules

Attestation by

Kandy Wang



Date of Issued: September 29, 2012

1/F, Block East H-3, OCT Eastern Ind. Zone, Qiaocheng East Road, Nanshan, Shenzhen, China
Tel: 86-755-86337020 Fax: 86-755-86337028 <http://www.bontek.com.cn>

TEST REPORT

Client name: NEW WISDOM INVESTMENT LIMITED

Client address: 4-30, XIANGXUNQUN, HONGU WEST ROAD, SHENZHEN, CHINA

Sample name: CORDLESS 2

Sample model: CORDLESS 2A, CORDLESS 2B, CORDLESS 2C,
CORDLESS 2D, CORDLESS 2E

Sample quantity: 1PCS

Testing period: From 2012-09-28 to 2012-09-29

Test item:

As specified by client, to do PFR test on the submitted samples.

Test method:

EN60529 (IEC 60529)

Test conclusion:

Pass

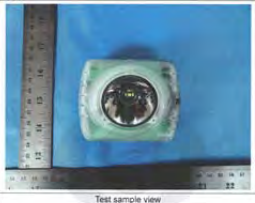
Tested By: Inspected by: Approved By:

Shenzhen Bortek Compliance Testing Laboratory Co., Ltd
Issued Date: October 08, 2012

Notes:

The test report is responsible to the sample accepted by the laboratory only. The test report is invalid without the stamp of "signature seal of test unit", the modified report is invalid. The part of Copy report is invalid. The test report without the signatures of operator, supervisor and manager is invalid, when there is disagreement to the test report. The test unit should be informed within 15 days since the report is received by the client. Overseas information will not be accepted.

Appendix:



Test sample view



Dust-tight testing view

Description of sample:

Before test, sample no damage, no abnormal phenomenon.

Test equipment or instrument:

Testing item(s)	Instrument(s) / Appliance(s)
Dust-tight test	Dust-proof Box
Water-tight test	Pontoon

Test result:

Testing item(s)	Dust-tight test
Testing Method/Appliance	Sub atmospheric pressure applied Dust-proof Box
Testing Condition	Talc applied in testing: Content: 2Kg/m ³ in testing box; Applied times: 10; Testing Duration: 6h
Requirements of IP dx	No ingress of dust
Testing Result	No ingress of dust
Test conclusion	Pass

Testing item(s)	Water-tight test
Testing Method/Appliance	Pontoon applied
Testing Condition	Immersion the enclosure in water, including the electrical connections with pins, waterproof lights, PIG plug, antenna processing Block. Water-level on enclosure, 0.15m above top, 1m above bottom. Testing Duration: 30min. Test pressure: 50m
Requirements of IP X8	Prevent powerful jet of water, the ingress of water should not be harmful.
Testing Result	No ingress of water
Test conclusion	Pass

Notes:

-Talc powder has been filtrated by metal square hole sieve, pore size is 75 μm.
-Test environment temperature and Relative humidity : 25 °C, 58%RH



Water-tight testing view

End of Report

BCT
compliance testing laboratory