

# WISDOM LAMP 3

## Multi Purpose Lamp



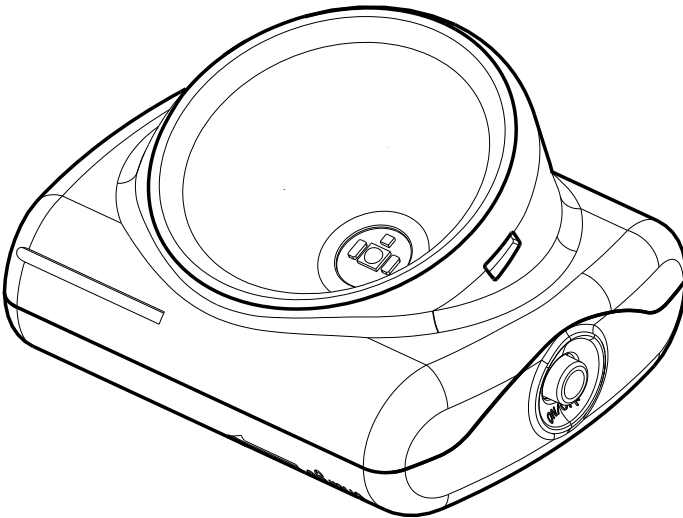
English

中文

Brighter • lighter • more beautiful

# TABLE OF CONTENTS

1	FEATHRES OF WISDOM LAMP 3 .....	1
2	TECHNICAL SPECIFICATION OF WISDOM LAMP 3 .....	3
3	PARTS OF WISDOM LAMP 3 .....	4
4	USER GUIDE OF WISDOM LAMP 3 .....	5
5	TROUBLE AND TROUBLESHOOTING .....	13
6	NOTES .....	13
7	SAFETY WARNINGS.....	13
8	PACKAGE.....	13



English



# **1 FEATHRES OF WISDOM LAMP 3**

The multi-purpose cordless WISDOM LAMP 3 is perfectly created with industrial design, electronic design, software design, production craft design and user-friendly design. It applies the most advanced technology of the LED light source and high-capacity li-ion battery technology to create a brighter and lighter multi-purpose cordless lamp. Our WISDOM LAMP 3 is a kind of ideal lighting equipment for civil using, outdoor activity, riding lighting and other many other practical purposes. Meanwhile, it is able to withstand the harshest underground conditions, such as, the coalmines and metal mines etc. The significant features are as the follows:

## **1.1 100000 hours lifespan and super stable brightness**

The multi-purpose cordless WISDOM LAMP 3 applies the most advanced American CREE LED light source and advanced drive PCB, which promises its life span up to 100000 hours in certain condition. The delicately designed reflector reduces the light absorption, which greatly improves the brightness.

## **1.2 Multiple lens, suitable for different scenes**

WISDOM LAMP 3 can not only apply to mining but also to multi-purpose lightings in our daily life with its lens 1, lens2, lens3 and lens4. So WISDOM LAMP 3 can achieve a flexible Shift from its mining to home application.

## **1.3 Convenient charging way with USB**

Multi-purpose WISDOM LAMP 3 is designed to charge with magnetic USB wire, which makes it possible to charge the LED multi-purpose lamp with the same power adaptor with standard USB port of the general mobile phone. Meanwhile, it can also charge with the matched conventional single charger or charger rack, which is a revolutionary breakthrough in the charging way for multi-purpose lamps.

## **1.4 SUPER-LIGHT in WEIGHT**

Multi-purpose WISDOM LAMP 3 is designed to be super light and the lightest model of 3C and 3D weighs only 128g, which is half weight of the normal lamps.

## **1.5 Adjustable lighting angle**

A rotatable clip is for your option to meet different requirements for long-range and short-range lighting.

## **1.6 Battery indicator**

When the lamp is off, press the button for more than 2 seconds then the battery indicator is on, and you can identify the battery remaining capacity: >30%, >60%, >90%.

## **1.7 Two-stage low battery power alarms and alarm cancel**

When the main light source is on, about one hour before the battery runs out and only 10 minutes lighting time, the main light source will alternately alarms with dark lights warn that the battery is nearly exhausted and needs charging. If you do not want the lights flashing affect the lighting, press the switch button for more than 2 seconds, the main light source flashes twice to stop the alarm and enter the normal lighting condition.

## **1.8 Many kinds of models for option**

The multi-purpose lamp of WISDOM LAMP 3 provides many kinds of models for option. There are 3A, 3B , 3C and 3D, which enables it meet different needs of users and situations.

## **1.9 Safe, reliable and maintenance-free**

The Li-ion battery of WISDOM LAMP 3 is maintenance-free. Moreover, the battery protecting PCB can protect the battery from over charge, over discharge, over current, and short circuit so that the battery won't explode or burn. Therefore, the safety and reliability of **WISDOM LAMP 3** are well guaranteed.

## **1.10 Explosion-proof and impact-resistance**

The housing of WISDOM LAPM 3 is made of bulletproof PC. The optimized mold design not only strengthens the hardness of the housing but also lessens the internal stress, which makes WISDOM LAPM 3 stronger in impact resistance and more durable in life span.

## **1.11 Super waterproof**

The multi-purpose WISDOM LAMP 3 applies the professionally water-proof design which enables it is approved by IP68 tested underwater 50 meters. It is made of stainless steel materials, such as, the stainless cap lamp clip and USB charging points which is made of stainless steel and gold-plated brass. Therefore, it is able to work stably under harsh working conditions.

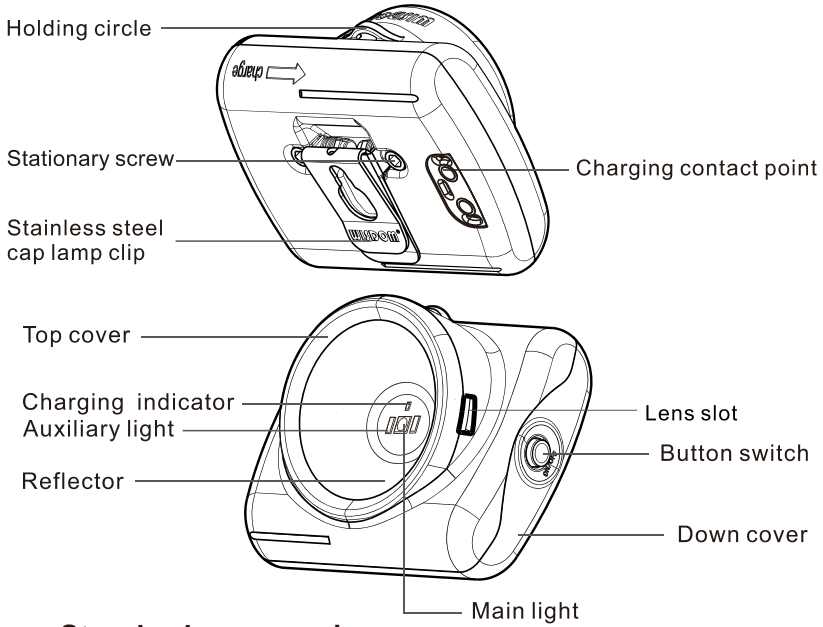
## **1.12 Environmentally friendly**

The multi-purpose lamp is designed in accordance with RoHS, which is strictly followed during the whole process, from material selection to production craft design.

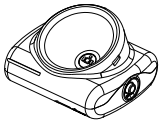
## 2 Technical Specification of WISDOM LAMP 3

Features	Specification			
Model	WISDOM LAMP 3A	WISDOM LAMP 3B	WISDOM LAMP 3C	WISDOM LAMP 3D
Rated capacity	≧ 6.2Ah	≧ 4.4Ah	≧ 3.1Ah	≧ 2.2Ah
Rated voltage	3.7V			
Continuous working time	≧ 13 h	≧ 13 h	≧ 13 h	≧ 7 h
Main light LED Working Voltage	3.0V			
Main light LED Working Current	520mA	400mA	270mA	370mA
Main light Power	1.6W	1.2W	0.8W	1.1W
Main light Luminous flux	198Lm	157Lm	110Lm	146Lm
Lamp lighting degree Initial Lighting degree in 1m	12000Lux	8500Lux	7000Lux	8000Lux
Main light life span	≧ 100000h			
Auxiliary light Power	0.4W			
Auxiliary light life span	≧ 20000h			
Short circuit protect time	<320μS			
Life span of the battery (recharges)	1200 cycles <b>(in reasonable working conditions)</b>			
Charging time with NWB-30	5h	4.5h	4.5h	3.5h
Charging time with USB	5h	4.5h	4.5h	3.5h
Dimensions	84x69x50mm			
Weight	175g	175g	128g	128g

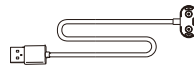
### 3 PARTS OF WISDOM LAMP 3



#### Standard accessories



Multi Purpose Lamp

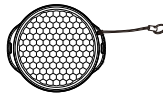


Magnetic USB wire

#### Optional accessories



Optical lens 1  
(Transparent)



Optical lens 2  
(Transparent)



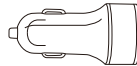
Optical lens 3  
(Transparent)



Optical lens 4  
(Colorful)



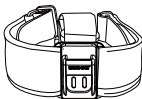
Power adaptor



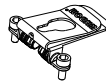
Vehicle power adaptor



Belt



Head strap



Rotatable clip



Tool

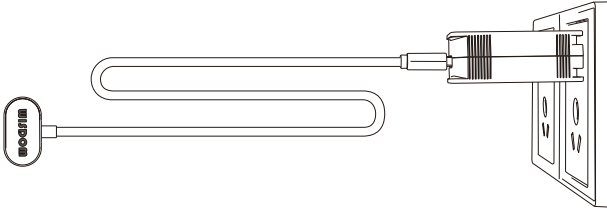
## 4 User Guide of WISDOM LAMP 3

### 4.1 Two charging ways

#### 4.1.1 USB Charging Way

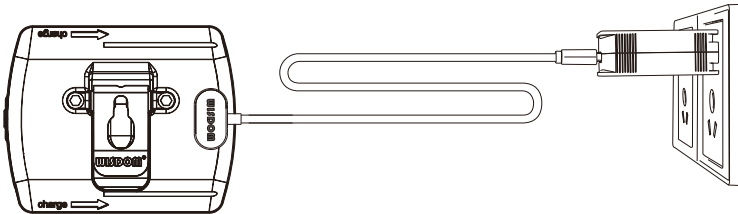
Connect the “5V,2A” power supply with magnetic USB line to “AC,100-240V” outlet.

The charger indicator turns green , as following:

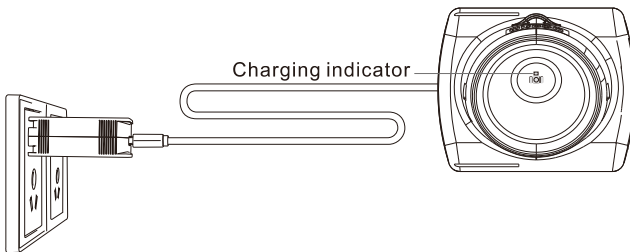


Connect the magnetic charging terminal with the USB charging points, make them contact tightly.

The lamp's indicator turns red, which means it's charging.



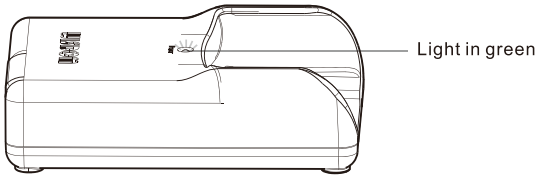
The lamp's indicator turns green, which means it is fully charged. Take away the USB line from the lamp, and then use it normally.



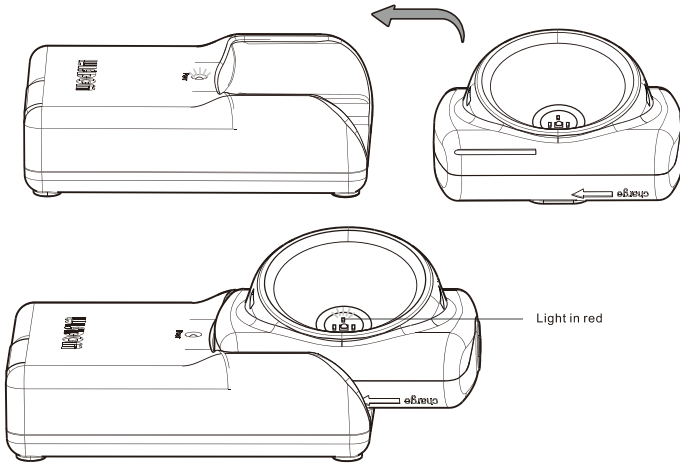


## 4.1.2 Traditional Charging Way

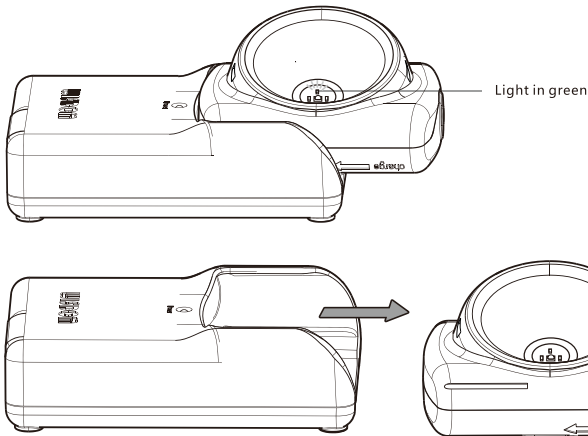
Connect the single charger to the power supply or switch on the charger rack, the indicator light of the charger turns green.



Connect the lamp with the charger. The charging indicator of cap lamp turns red.



The lamp can work normally after taking the lamp away from the charger when it is in charging or finishing charging.



## 4.2 Charging Indication

WISDOM LAMP 3 has a indicator for the charging situation. When the indicator turns red, which means it's charging; when the indicator turns greens, which means it is fully charged. During the progress of the charging, the soft lighting of the main and auxiliary light source can indicate the charging situation.

After the lamp completes the charging, the indicator turns green from red, and the main and auxiliary light source are both off.

All the indictors are as following :

Charging stage	Status of charging indicator
Battery capacity $\leq 1/3$	
$1/3 < \text{Battery capacity} \leq 2/3$	
Battery capacity $> 2/3$	
Fully charged	

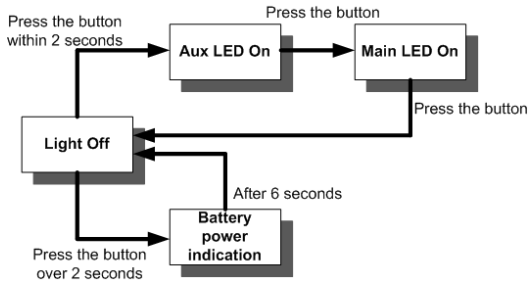
**Note:** The cap lamp battery indications just a general one, just for your reference.

### 4.3 Switch

When the lamp is off, press the button for less than 2 seconds then the auxiliary light is on. Press the button for more than 2 seconds then the battery power status indicator is on.

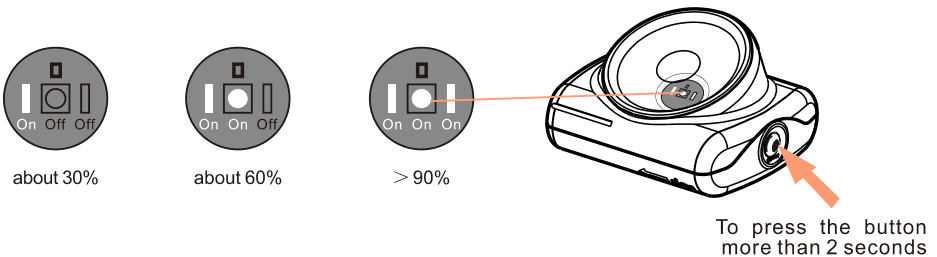
When the auxiliary light is on, press the button then the auxiliary light is off and the main light is on.

When the main light is on, press the button and the main light is off.



### 4.4 Battery indicator

When the lamp is off, press the button for more than 2 seconds then the battery power indicator is on. The main light source and two auxiliary light sources emit a low light as the battery power status instructions.



The battery power indicator is on for 6 seconds before off.

**Note: The above status instructions are just for reference.**

## 4.5 Two-stage low battery alarms and alarm cancel

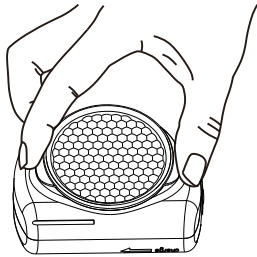
About 1 hour before the battery power is out, the main LED light of WISDOM LAMP flashes softly (one time flashing for every five seconds) to remind the user that the power is nearly used up and needs to be recharged. If you don't want the flashing to affect the normal lighting, you can press the switch more than 2 seconds. The main light source will flash twice, and the flashing is away. Then the cap lamp restores to normal working.

When the battery is only able to keep the cap lamp on for 10 minutes, its main light source will flash with the strong and soft light quickly (flashing once for every two seconds). This information is to remind you that the battery is nearly used up and it needs recharging or exchanging to the auxiliary light source.

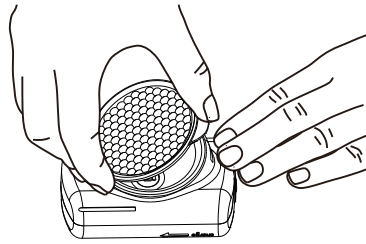
## 4.6 Practical lens for civil using

**Lenses 1, 2, 3, 4 of WISDOM LAMP 3 are able to satisfy the practical civil using.**

**The lens assembly way:**



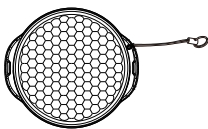
Picture 1  
(installing operation)



Picture 2  
(removing operation)

### 4.6.1 Optical lens 1

Put the lens 1 into the slot of cap lamp, which can change the original strong light into wider range of soft light. So WISDOM LAMP with lens 1 is a kind of ideal lighting equipment for outdoor camping.

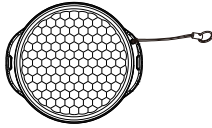


Optical lens 1



### 4.6.2 Optical lens 2

Put the optical lens 2 into the slot of cap lamp, which can change the original strong light into narrower range of soft light. So WISDOM LAMP with optical lens 2 is a kind of ideal lighting equipment for night reading.



Optical lens 2



### 4.6.3 Optical lens 3

The optical lens 3 is specially designed for the lighting of the bicycle. Put the optical lens 3 into the slot of cap lamp, which can widen the point-light into a widely visible range. So it is a kind of ideal lighting equipment for night riding.



Optical lens 3



### 4.6.4 Optical lens 4

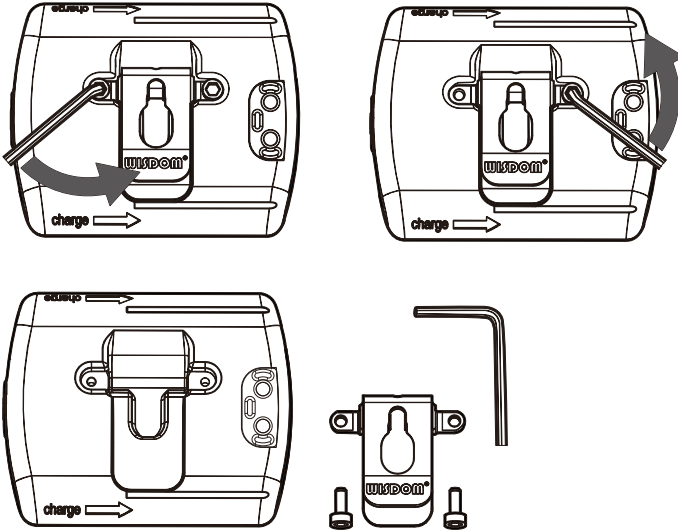
Put the optical lens 4 into the lens slot of multi-purpose lamp, which can change the originally simple light into colorful light. So WISDOM LAMP with optical lens 4 is ideal lighting equipment for night warning, for fun and so on.



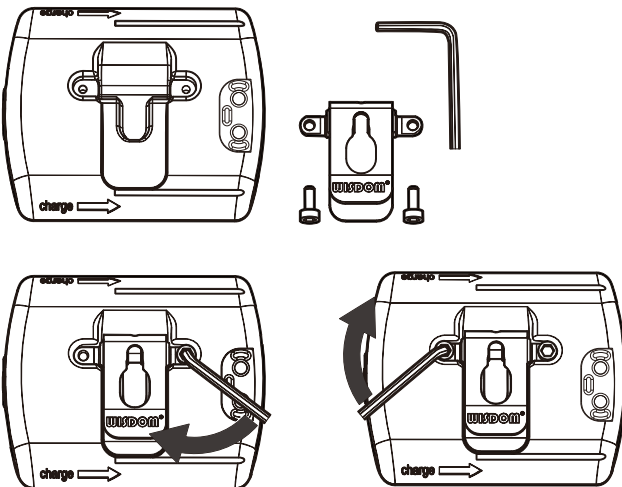
Optical lens 4  
(Colorful)

## 4.7 How to change the cap lamp clip

The defaulted cap lamp clip for WISDOM LAMP is the fixed cap lamp clip. You can choose the rotatable cap lamp clip for option. When you need to change the cap lamp clip, firstly use the hex-screwdriver anticlockwise to loosen the screw and remove the fixed cap lamp clip.

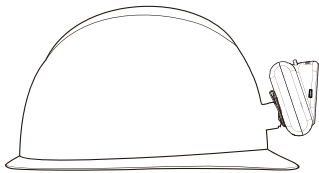
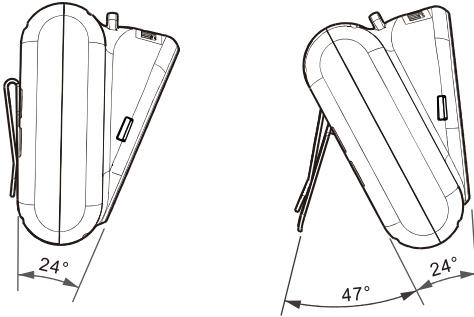


Put the rotatable cap lamp clip into the positioning slot, and then fix the rotatable cap lamp clip clockwise with the hex-screwdriver.

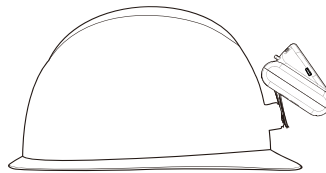


## 4.8 Lighting angle adjustment

WISDOM LAMP with rotatable cap lamp clip can be rotated within  $47^\circ$  to adjust the angle between the lamp and the cap. In this way, you can adjust the lighting angle to meet the requirements for the short-range or the long-range lighting angle.



The lighting angle for short-distance light



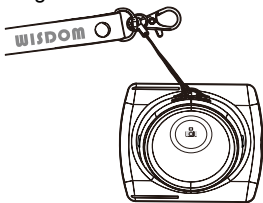
The lighting angle for long-distance light

## 4.9 Fix the lamp on the wall

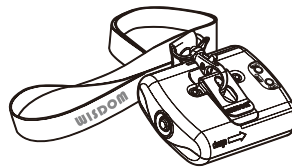
You can not only fix WISDOM LAMP on cap with the clip, but also put it on the wall by hanging it on a nail with a strap.

## 4.10 Two ways to hold the lamp by the belt

You can use the belt to hold WISDOM LAMP for more convenient usage. There are two ways as following :



hold with the hole



hold with the clip

## 5 Trouble and troubleshooting

Trouble description	Trouble analysis	Troubleshooting
Light is not on when pressing the button	Battery power is used up	Charge the lamp
Working time is less than 13 hours	Battery is not fully charged	Make sure the lamp well connected to the charger when charging
Longer charging time	The charging points poor contact	Clean the charging points and the slot

## 6 Notes

- WISDOM LAMP is half charged before delivery, please fully charge it before using.
- Please use our own matched charger/charging rack or magnetic USB wire to charge the multi-purpose lamp or the lamp may be damaged.
- If the lamps need storing for a long period, please repeat the following maintenance steps every two months: Fully charged →completely discharged →charged for 2hour.
- Please clean up the dust in the charging point slot timely for the normal charging with the USB wire.

## 7 Safety warnings

- Please don't shoot at eyes directly while the lamp is working since the strong light will hurt eyes.
- Please don't disassemble the cap lamp, or it may cause potential troubles related to safety, reliability to work underground.
- Please don't crash and strike the lamp.
- Please don't charge the lamp underground.
- Please keep the lamp away from fire sources.
- Please don't maintain the lamp underground. All maintenance must be done on the ground!
- Please don't repair self-disassembly; otherwise the manufacturer will not be responsible for the warranty.
- Please recycle the discarded cap lamp together rather than throwing them away without disposing.

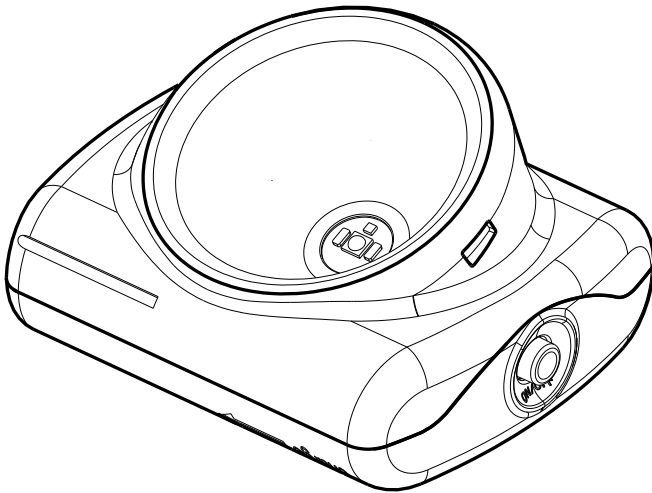
## 8 Package

- The WISDOM LAMP 3 is packed by blister package which is 388 x 140 x 41 mm.
- The WISDOM LAMP 3 part is packed by color box package which is 226 x 88 x 34 mm.
- The outer box is packed by carton package which is 38 x 22.5x 44 mm containing 16 pieces of WISDOM LAMP 3.



# 目录

1 WISDOM LAMP 3 多用途灯特性.....	1
2 WISDOM LAMP 3 多用途灯技术规格.....	3
3 WISDOM LAMP 3 多用途灯结构组件.....	4
4 WISDOM LAMP 3 多用途灯使用说明.....	5
5 故障与检修.....	13
6 注意事项.....	13
7 安全警示.....	13
8 包装规格.....	13





# 1 WISDOM LAMP 3 多用途灯特性

创新设计的 WISDOM LAMP 3 无绳多用途灯是经过精心的工业设计、电子设计、软件设计和生产工艺设计的结晶。结合了最先进的 LED 光源技术和大容量锂电池技术，创造出比普通无绳头灯更亮更轻的多用途灯。多用途灯独特的设计使其在家用照明、户外活动、自行车夜间照明等领域很受欢迎。它还能承受最严酷的地下工作条件如煤矿、金属矿山等。显著特性如下：

## 1.1 十万小时寿命和稳定的超高亮度

WISDOM LAMP 3 多用途灯采用了最先进的美国 CREE LED 光源和先进的驱动电路，在一定条件下主光源有 100000 小时的寿命。精心设计的反光杯有效减少光的吸收，以优化和提高光效，使得多用途灯保持稳定的高亮度和长寿命。

## 1.2 多种光学镜片，适用不同的场景

WISDOM LAMP 3 多用途灯根据生活的实际用途增加了光学镜片 1，光学镜片 2，光学镜片 3，光学镜片 4 等以满足生活中多种照明用途，使得民用和矿用可以随意切换。

## 1.3 支持磁力 USB 充电方式

WISDOM LAMP 3 采用多用途灯设计、制造出磁力 USB 充电线，使通用型手机充电电源就能对智能 LED 多用途灯充电。还兼容配套的专用充电器或充电架充电，是多用途灯充电易用性的一个革命性的突破。

## 1.4 重量超轻

WISDOM LAMP 3 多用途灯采用超轻量级的设计，3C 和 3D 仅为 128g，远远轻于一般的头灯。

## 1.5 照明角度可调

WISDOM LAMP 3 无绳多用途灯可以选配活动帽钩，在使用时可调整照明角度，以满足远距离和近距离照明的不同要求。

## 1.6 电池电量指示

在多用途灯熄灭状态，按下开关按钮超过 2 秒，多用途灯就进入电量指示状态，可以直观的识别电池剩余电量：>30%，>60%，>90%。

## 1.7 两阶段低电量告警和告警取消

在主光源点亮的状态，电池电量耗尽前约 1 小时和仅足以维持照明 10 分钟左右的时候，其主光源会有规律明暗交替闪烁用于提示电池电量快耗尽了，需要重新充电。如果不希望灯光不停闪烁而影响照明，可以按下开关按钮 2 秒以上，主光源会在闪烁两次后停止告警提示，并进入正常照明状态。

## 1.8 多种型号可选

WISDOM LAMP 3 多用途灯有 3A,3B,3C,3D 四种型号可供选择。它满足了不同用户和场合的需求。

## 1.9 安全可靠，免维护

本多用途灯所采用的锂电池具有免维护的特性。电池组的保护电路具有对过度充电、过度放电、电流过大、短路等问题的多重保护功能，保证电池不会因过充、温度过高、短路、撞击而产生爆炸或燃烧，从而确保多用途灯使用的安全。

## 1.10 防爆和超级耐冲击

WISDOM LAMP 3 多用途灯的壳体使用防弹级 PC 材料制成。优化设计的模型不仅保证了壳体的强度并且减小了内应力，这使得 WISDOM LAMP 3 拥有更强的耐冲击力和更经久耐用。

## 1.11 超强的防水功效

WISDOM LAMP 3 多用途灯采用了专业防水设计,通过了 50 米水深的 IP68 测试。各个金属部件都采用了不生锈材料，如帽钩采用了不锈钢材料，USB 充电接触点采用了不锈铁和镀金的黄铜材料，以保证多用途灯卓越的防水能力使其能够在苛刻的环境下不生锈且长时间稳定工作。

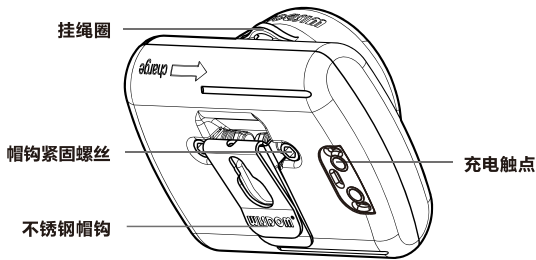
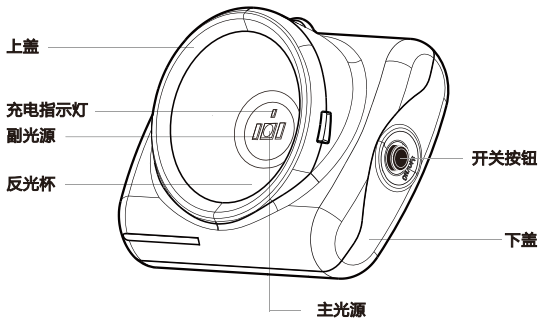
## 1.12 对环境无害

WISDOM LAMP 3 多用途灯的设计完全遵守《危害性物质限制指令》(RoHS)。危害性物质限制指令的执行贯穿于整个生产流程，从原材料的挑选到制造工艺的设计都严格遵照该指令。

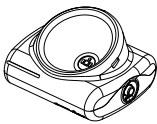
## 2 WISDOM LAMP 3 多用途灯技术规格

特性	技术规格			
型号	WISDOM LAMP 3A	WISDOM LAMP 3B	WISDOM LAMP 3C	WISDOM LAMP 3D
额定容量	≧ 6.2Ah	≧ 4.4Ah	≧ 3.1Ah	≧ 2.2Ah
额定电压	3.7V			
持续放电时间	≧ 13 h	≧ 13 h	≧ 13 h	≧ 7 h
LED 主光源工作电压	3.0V			
LED 主光源工作电流	520mA	400mA	270mA	370mA
主光源功率	1.6W	1.2W	0.8W	1.1W
主光源发光强度	198Lm	157Lm	110Lm	146Lm
灯亮度(初始亮度)一米的距离	12000Lux	8500Lux	7000Lux	8000Lux
主光源工作寿命	≧ 100000h			
副光源功率	0.4W			
副光源工作寿命	≧ 20000h			
短路保护时间	<320μS			
电池工作寿命(重复充电)	1200 次 (在合理的工作条件下)			
充电时间(用 NWB-30)	5h	4.5h	4.5h	3.5h
USB 充电时间	5h	4.5h	4.5h	3.5h
尺寸	84x69x50mm			
重量	175g	175g	128g	128g

### 3 WISDOM LAMP 3 多用途灯结构组件



#### 标配



灯

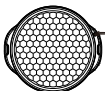


磁力USB充电线

#### 选配



光学镜片 1  
(透明)



光学镜片 2  
(透明)



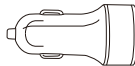
光学镜片 3  
(透明)



光学镜片 4  
(彩色)



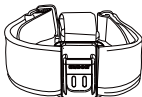
电源适配器



车充适配器



挂绳



头绳



旋转槽钩



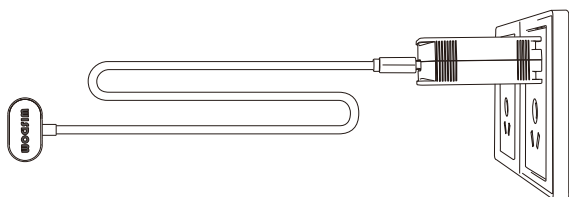
内六角扳手

## 4 WISDOM LAMP 3 多用途灯使用说明

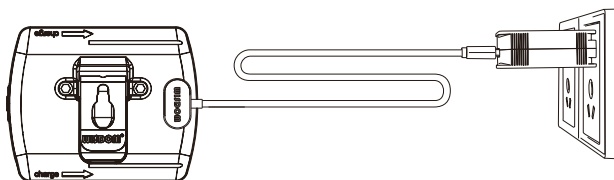
### 4.1 两种充电方式充电

#### 4.1.1 USB 充电方式

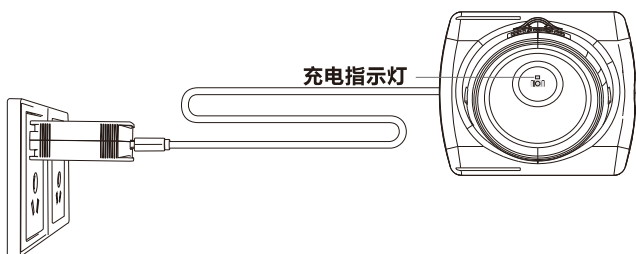
将“5V 2A”电源适配器接上磁力 USB 充电线并插入“AC,100-240V”的插座，充电器的指示灯为绿色。（如下图）



将磁力充电头端子接于多用途灯的 USB 充电点，确保磁力头的触点和 USB 充电点位紧密接触。

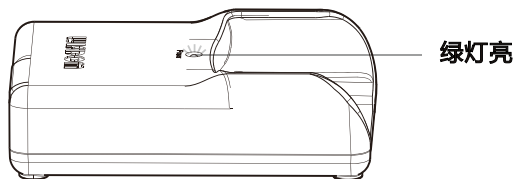


当多用途灯充电指示灯为红色时代表正在充电，变成绿色时表示电池已经完全充满。此时可取下磁力 USB 充电线正常使用多用途灯。

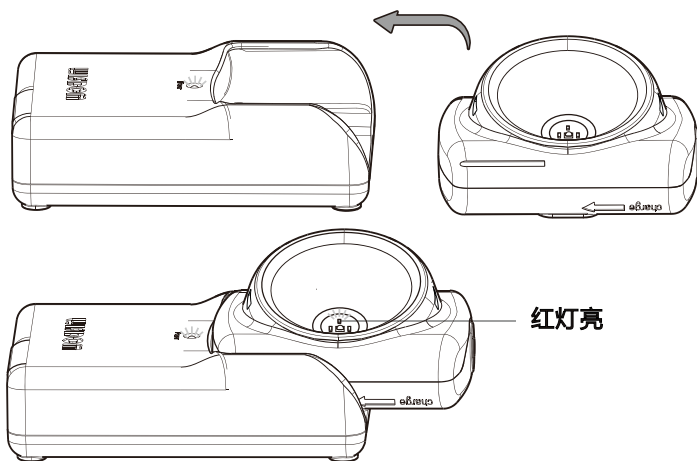


## 4.1.2 传统充电方式

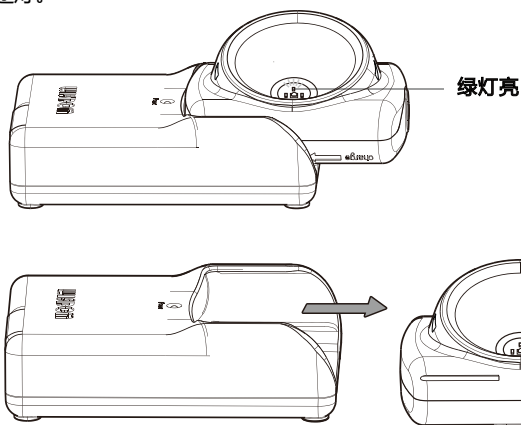
将便携式充电器接上电源，便携式充电器的绿色指示灯会点亮。



将多用途灯按图示的方向插入充电器中，多用途灯里的充电指示灯会变红。



在多功能灯充电过程中，或多用途灯电池充满后，把多用途灯从充电器中拔出，即可正常使用多功能灯。





## 4.2 充电指示功能

WISDOM LAMP 3 多用途灯有专门的充电状态指示灯。充电指示灯为红色时表示正在充电；充电指示灯为绿色时表示电池已经充满。在充电的过程中，主光源和两个副光源会发出弱光，作为充电进程指示。

待多用途灯电池完全充满后，充电指示灯会由红色变为绿色，主、副光源都熄灭。

在多用途灯充电的过程中各指示灯的指示方式如下：

充电阶段	指示灯状态
电池电量 $\leq 1/3$ 满	
$1/3$ 满 < 电池电量 $\leq 2/3$ 满	
电池电量 $> 2/3$ 满	
电池完全充满	

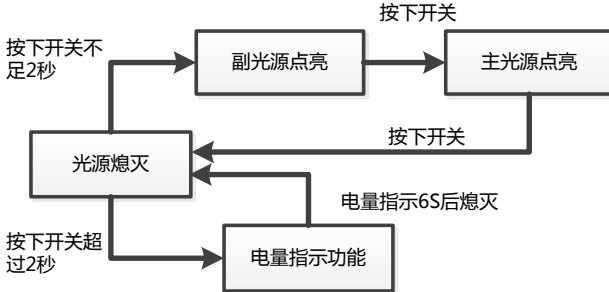
**注意：**多用途灯的充电进程指示只是一个大概的指示，仅供参考。

### 4.3 开、关灯

在熄灭的状态，按下开关按钮并迅速放开，就会点亮副光源。如果在熄灭的状态下按下开关按钮超过 2 秒，WISDOM LAMP 3 多用途灯会进入电量指示状态。

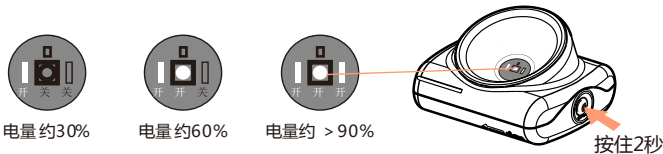
在副光源点亮的状态下，按一下开关按钮，副光源熄灭，主光源点亮。

在主光源点亮的状态下，按一下开关按钮，主光源熄灭。



### 4.4 电量指示

在多功能灯熄灭状态,按下开关按钮超过 2 秒,多功能灯进入电量指示状态.主光源和副光源发出弱光,用来显示电池电量:



电量显示 6 秒钟后，多功能灯恢复到熄灭状态。

注意：WISDOM LAMP 3 多功能灯的电量指示只是一个大概的指示，仅供参考。

### 4.5 两阶段低电量告警和告警取消

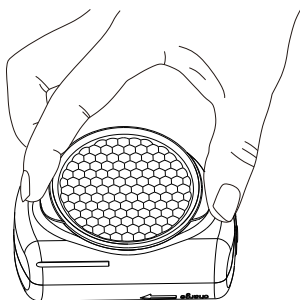
在主光源点亮的状态，电池电量耗尽前约 1 小时，主光源会有规律明暗交替闪烁（每 5 秒闪烁一次），用于提示电池电量快耗尽了，需要重新充电。如果不希望灯光不停闪烁而影响照明，可以按下开关按钮 2 秒以上，主光源会在闪烁两次后停止告警提示，并进入正常照明状态。

在电池电量仅足以维持照明 10 分钟左右的时候，主光源会有规律明暗交替快闪（每 2 秒闪烁一次）告警，提示电池电量马上就要耗尽了，需要马上充电或切换到副光源照明。

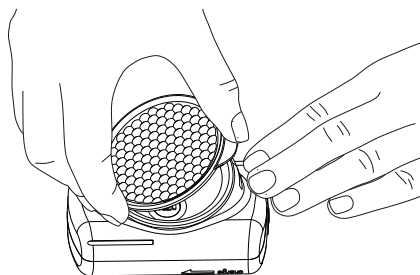
## 4.6 WISDOM LAMP3 光学镜片配件

WISDOM LAMP3 提供多种光学镜片配件,可变换照射模式,增强了多用途灯的实用性.

镜头装拆示意图：



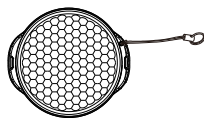
图一（安装动作）



图二（拆卸动作）

### 4.6.1 光学镜片 1

把光学镜片 1 卡于多用途灯的镜片卡槽处,即可以将原来的多用途灯的强光变成大范围的柔光,是出外露营的不错的照明灯具。

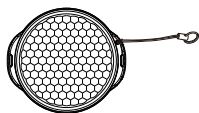


光学镜片 1  
(透明)



## 4.6.2 光学镜片 2

把光学镜片 2 卡于多用途灯的镜片卡槽处，即可以将原来的多用途灯的强光变成小范围的柔光，是夜晚看书写字理想的台灯。



光学镜片 2  
(透明)



## 4.6.3 光学镜片 3

光学镜片 3 是专门为自行车设计的一款照明配件，将其卡在多用途灯的镜片卡槽处，可以将点光源的强光拓展到宽阔的可视范围，非常适合骑自行车夜间照明。



光学镜片 3  
(透明)



## 4.6.4 光学镜片 4

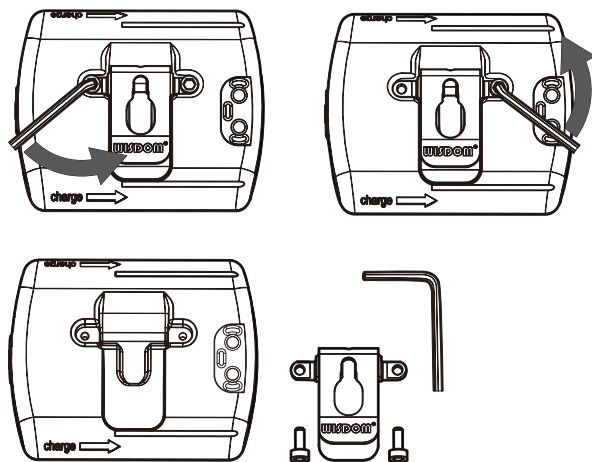
将光学镜片 4 装在多用途灯上时，可使原白光变成多种颜色的光，非常适合夜间警示、求救及娱乐等。



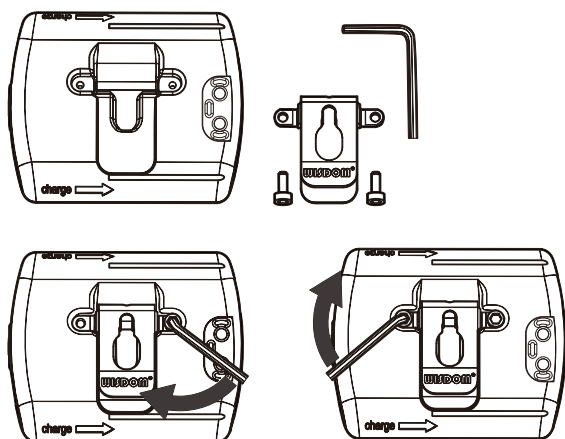
光学镜片 4  
(彩色)

## 4.7 更换帽钩

WISDOM LAMP 3 无绳多功能灯默认配置是固定帽钩，可以选配活动帽钩。当需要更换帽钩时，先用六角板手逆时针把固定帽钩的螺丝拧松并拆除，取下帽钩。

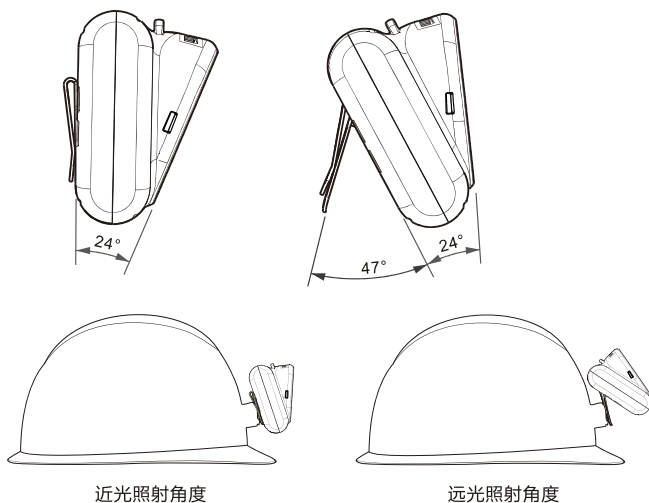


把活动帽钩放置在帽钩定位槽里，重新用内六角板手把固定帽钩的螺丝顺时针拧紧。



## 4.8 照射角度调整

WISDOM LAMP 3 无绳多用途灯在安装了活动帽钩后,可以在最大 47°范围内调整多用途灯和安全帽的夹角,从而调整照射的角度,以适应远光或近光照明要求。

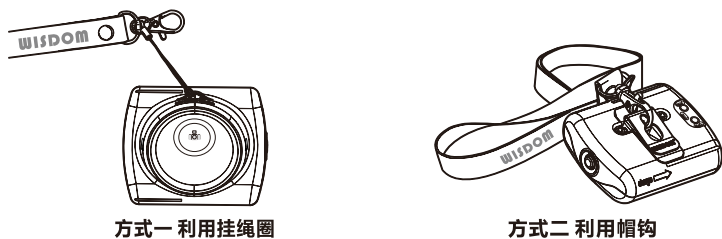


## 4.9 固定在墙上使用

WISDOM LAMP 3 无绳多用途灯不仅可以固定在安全帽上使用,利用帽钩的独特设计,还可以利用钉子挂在墙上使用。

## 4.10 两种挂绳方式

WISDOM LAMP 3 无绳多用途灯可以选配挂绳,作为便携式照明使用。多用途灯有两种挂绳的方式:



## 5 故障与检修

故障描述	故障分析	处理方法
按键不能开灯	电池电量耗尽	将多用途灯接到充电器上充电
放电时间不足 13 小时	电池没充满电	充电时确保多用途灯和充电器 的良好接触
充满的时间越来越长	充电接触点接触不良	清洁充电点及限位槽内的污垢

## 6 注意事项

- WISDOM LAMP 3 无绳多用途灯出厂前已经充电至半饱，使用前应先用充电器对多用途灯充电至充满。
- 请采用本产品配套的充电器或充电架进行充电，若使用其他类型充电器充电会损坏多用途灯。
- 长时间不用时，每隔两个月按照以下步骤进行一次维护：完全充电→完全放电→2 小时充电的维护操作。
- 为了确保 USB 的充电功能正常，请及时清洁 USB 充电点限位槽里的污垢。

## 7 安全警示

- 多用途灯在工作时不能直接对人眼睛照射，否则强光会损伤人的视力。
- 严禁随意拆卸多用途灯的零部件，严禁在危险场所使用缺少零件的多用途灯，否则会影响安全性及可靠性。
- 严禁摔打多用途灯。
- 严禁在井下对多用途灯充电。
- 严禁将多用途灯靠近或投入火源中。
- 严禁在井下拆、卸多用途灯或更换零部件。多用途灯的维护、维修工作必须在地面进行。不能随意改变多用途灯结构及零部件。
- 报废多用途灯应集中处理，不得随意丢弃。

## 8 包装规格

- 多用途灯配件采用 WISDOM LAMP 3 彩盒包装，彩盒尺寸为：226 x 88 x 36 毫米。
- 每个无绳多用途灯采用吸塑包装，吸塑外形尺寸为：388 x 140 x 51 毫米。
- 每 16 个无绳灯采用纸箱包装，纸箱外形尺寸为：38 x 22.5x 44 厘米。

## Reason to choose **WISDOM** multi purpose lamp

- ( 1 ) Stable and super bright
- ( 2 ) Small size, light weight and portable design
- ( 3 ) A variety of lenses for different lighting purposes
- ( 4 ) Magnetic USB wire charging
- ( 5 ) Adjustable lighting angle
- ( 6 ) Safe, reliable and maintenance-free
- ( 7 ) More option of different models
- ( 8 ) Explosion-proof and super impact-resistance
- ( 9 ) Super waterproof
- (10) Environmentally-friendly
- (11) Longer life span



Telephone : 0086-755-83911841

Mailbox : info@wisdom.hk

Address: 4-306, xianglixincuen, Hongli West Road, shenzhen, China

[www.wisdom.hk](http://www.wisdom.hk)

Zip code: 518034