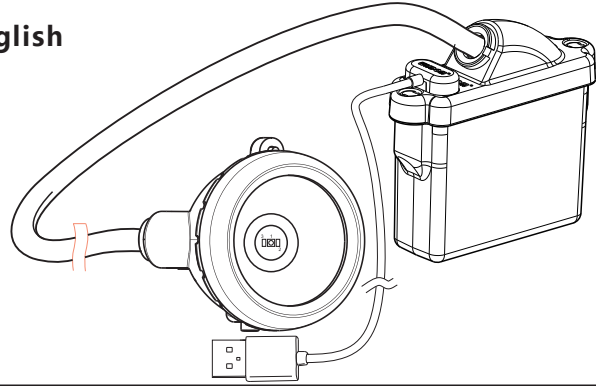
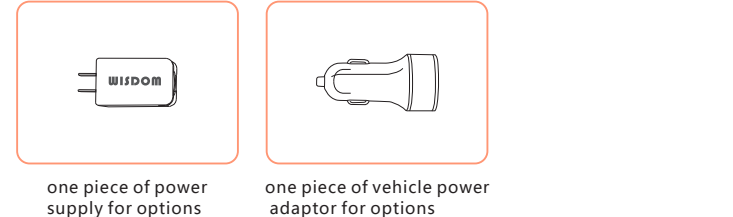


**KL4MS/KL5MS/KL8MS/KL12MS  
Brighter, Safer**

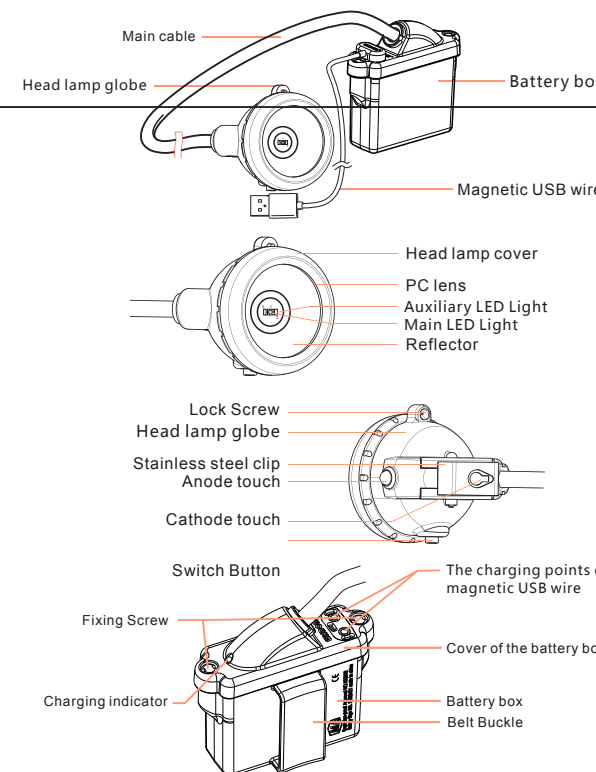
English



**1. Packing List**



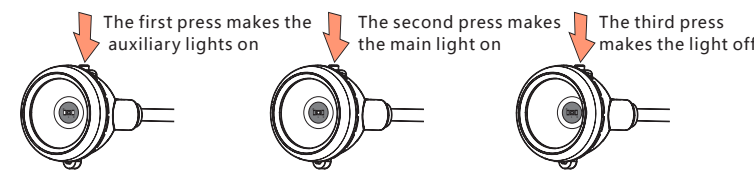
**2. NEW WISDOM Cap Lamp Parts**



**3. Technical Specifications**

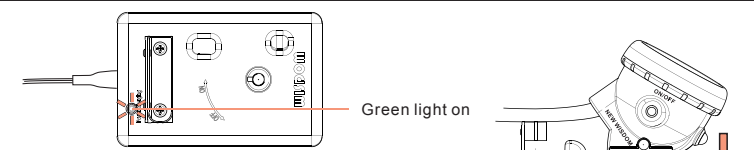
Features	KL4MS	KL5MS	KL8MS	KL12MS	
Rated capacity	4.4Ah	6.6Ah	8.8Ah	12.4Ah	
Rated voltage	3.7V				
Main light LED Working voltage	3.0V				
Continuous working time	Super long version	24h			
	Long version	16h			
	Standard version	13h			
Main light LED Working current	Super long version	230mA	340mA	430mA	580mA
	Long version	340mA	430mA	580mA	800mA
	Standard version	400mA	580mA	800mA	1000mA
	Super long version	0.7W	1W	1.3W	1.8W
Main light Power	Long version	1W	1.3W	1.8W	2.4W
	Standard version	1.2W	1.8W	2.4W	3W
	Super long version	100 Lm	148 Lm	178Lm	235 Lm
Main light Luminous flux	Long version	148 Lm	178 Lm	235Lm	301 Lm
	Standard version	167 Lm	235 Lm	301Lm	359Lm
	Super long version	7000 Lux	10000Lux	11000Lux	16000Lux
Lamp lighting brightness in one meter (Initial Lighting degree)	Long version	10000Lux	11000Lux	16000Lux	23000Lux
	Standard version	11000Lux	16000Lux	23000Lux	25000Lux
	Main light life span	100000h			
Auxiliary light Power	0.4W				
Auxiliary light life span	40000h				
Short circuit protect time	<320μS				
Life span of the battery (recharges)	1200 cycles (under reasonable working conditions)				
Charging time with traditional charging rack	4h	6h	8h	/	
Charging time with NWB-20	3.5h	4.5h	6.5h	/	
Charging time with NWB-25A and fast intelligent charging rack	2.5h	4h	5h	6h	
Charging time with USB	3.5h	4.5h	6.5h	8h	
Cable length	1.4m or 1.65m				
Dimensions (battery box)	85x94x36mm	90x94x36mm	108x94x36mm	108x94x36mm	

**4. Button Switch Instruction**



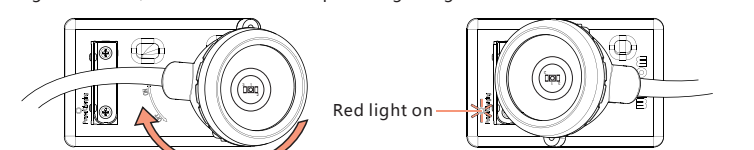
**5. The charging way with portable single charger**

(5.1) Connect the single charger to the power supply or switch on the charger rack, the indicator light of the charger turns green.



(5.2) Connect the cap lamp with the charger. Fix the brass pin (cathode) of the charger into the hole of the cap lamp clip.

(5.3) Rotate the head lamp 180 degrees clockwise, make sure the anode touch of the head lamp is closely connected to the connected metal base (anode). Then the indicator light turns red, which means the lamp is being charged.



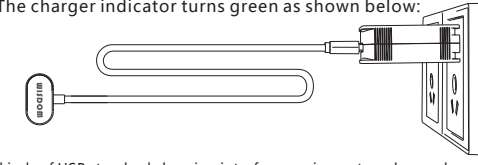
(5.4) When it's charged by NWB-25A single portable charger or the intelligent chargers, the indicator light of the charger keeps flashing from green to red, it means the battery has been charged at least 90%. The cap lamp can work more than 13h continuously if charging is stopped at this moment. If the indicator light of the charger flashes green only, then the battery has been fully charged.

(5.6) Rotate the head lamp 180 degrees anti-clockwise; take it away from the charger.

(5.5) When it's charged by NWB-20 single portable charger or the traditional chargers, the battery has been fully charged if the indicator light of the charger turns green.

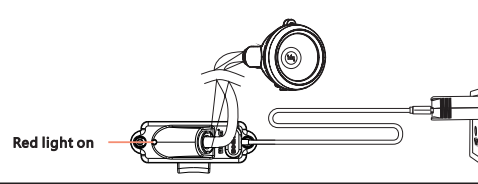
**6. The charging way with USB**

(6.1) Connect the "5V, 2A" power supply with magnetic USB wire to "AC,100-240V" outlet. The charger indicator turns green as shown below:

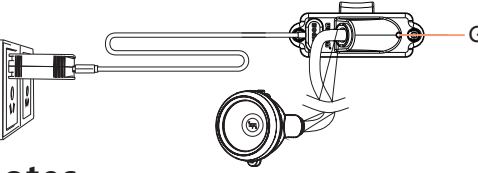


Note: All kinds of USB standard charging interface equipment can be used as a miners cap lamp charger.

(6.2) Connect the magnetic charging terminal with the USB charging points, make them contact tightly. The cap lamp's indicator turns red, which means it's charging.



(6.3) The cap lamp's indicator turns green, which means it finishes charging. Take away the USB wire from the cap lamp, and then use the cap lamp.



**7. Notes**

- (1) Our cap lamp is half charged before delivery, please fully charge it before using.
- (2) Please use our own matched chargers or magnetic USB wire to charge our cap lamps. Please don't use other chargers which are not specially designed for the Li-ion battery, or the cap lamp may be damaged.
- (3) Please clean the head lamp PC lens timely for the best performance.
- (4) If the lamps need storing for a long period, please repeat the following maintenance steps every two months: full charged completely--discharged--charged for 2hour.
- (5) Please clean up the dust timely in the charging point slot for the normal charging with the USB wire.

**8. Trouble and Troubleshooting**

Trouble description	Trouble analysis	Troubleshooting
Light is not on when pressing the button	Battery power is used up	Charge the lamp
Working time is less than 13 hours	Battery is not fully charged	Making sure the lamp well connected to the charger when charging

**9. Safety Warnings**

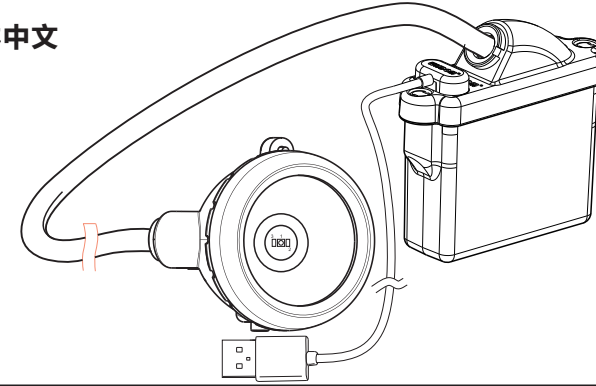
- (1) Please don't shoot at eyes directly while the lamp is working since the strong light will hurt eyes.
- (2) Please don't disassemble the cap lamp, or it may cause potential troubles related to safety, reliability, water resistance to work underground.
- (3) Please don't crash and strike the lamp.
- (4) Please don't charge the lamp underground.
- (5) Please keep the lamp away from fire sources.
- (6) Please don't maintain the lamp underground. All maintenance must be done on the ground!
- (7) Please don't repair self-disassembly, otherwise the manufacturer will not be responsible for the warranty.
- (8) Please recycle the discarded cap lamp together rather than throwing them away without disposing.

Telephone : +86-755-83911841  
Mailbox : info@wisdom.hk  
Address : 4-306, xianglixincuen, Hongli West Road, shenzhen, China Zip code : 518034

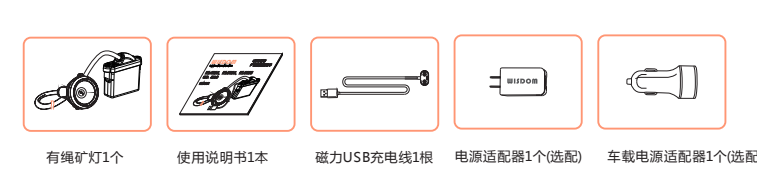
[www.wisdom.hk](http://www.wisdom.hk)

**KL4MS/KL5MS/KL8MS/KL12MS  
更亮、更安全**

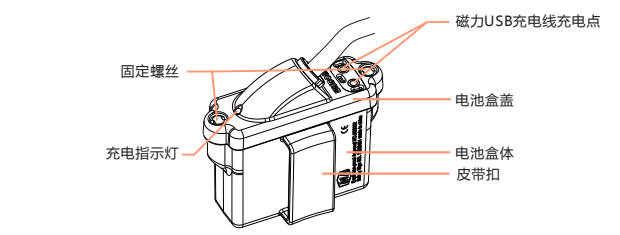
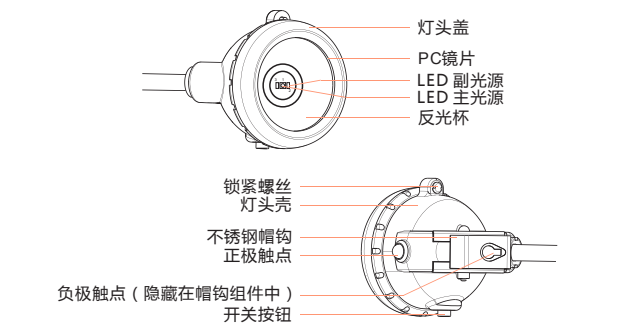
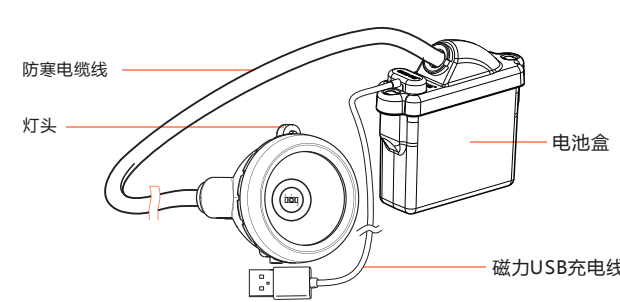
简体中文



**1. 包装清单**



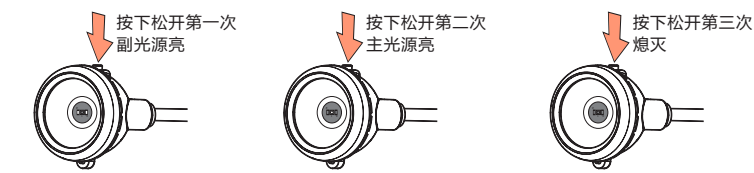
**2. 部位说明**



**3. 基本参数**

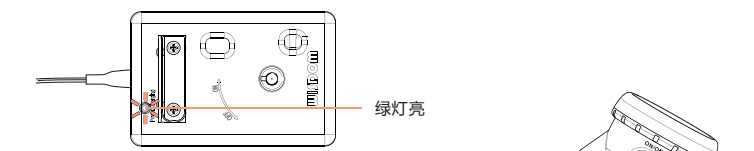
型号	KL4MS	KL5MS	KL8MS	KL12MS	
额定容量	4.4Ah	6.6Ah	8.8Ah	12.4Ah	
额定电压	3.7V				
LED 主光源工作电压	3.0V				
持续工作时间	超长工时版	24h			
	长工时版	16h			
	标准版	13h			
LED主光源工作电流	超长工时版	230mA	340mA	430mA	580mA
	长工时版	340mA	430mA	580mA	800mA
	标准版	400mA	580mA	800mA	1000mA
	超长工时版	0.7W	1W	1.3W	1.8W
主光源功率	长工时版	1W	1.3W	1.8W	2.4W
	标准版	1.2W	1.8W	2.4W	3W
	超长工时版	100Lm	148Lm	178Lm	235Lm
光通量	长工时版	148Lm	178Lm	235Lm	301Lm
	标准版	167Lm	235Lm	301Lm	359Lm
	超长工时版	7000Lux	10000Lux	11000Lux	16000Lux
一米内灯照度(初始照度)	长工时版	10000Lux	11000Lux	16000Lux	23000Lux
	标准版	11000Lux	16000Lux	23000Lux	25000Lux
	主光源使用寿命	100000小时			
副光源功率	0.4W				
副光源使用寿命	40000小时				
短路保护时间	<320μS				
电池使用寿命(重复充电)	1200次 (在合理的工作条件下)				
充电时间	使用NWB20充电	3.5小时	4.5小时	6.5小时	/
	使用NWB25A充电	2.5小时	4小时	5小时	6小时
	USB充电	3.5小时	4.5小时	6.5小时	8小时
	智能充电架充电	2.5小时	4小时	5小时	6小时
尺寸(电池盒)	普通充电架充电	4小时	6小时	8小时	/
	重量	460g	500g	550g	550g
电量指示	智能三点光源指示				
使用温度	0~60℃				
防护等级	IP68				
电缆线长度	1.4米或1.65米				

**4. 开关灯说明**

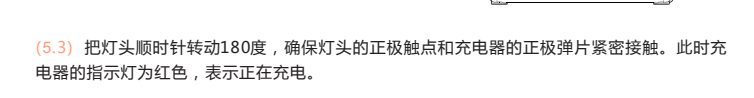


**5. NWB-25A、NWB-20便携充电器使用方法**

(5.1) 插上便携式充电器的电源或打开充电架的开关, 充电器的指示灯为绿色。



(5.2) 连接有绳矿灯和充电器: 顺着帽钩组件中的限位装置把矿灯放置在充电器的负极弹头上。



(5.3) 把灯头顺时针转动180度, 确保灯头的正极触点和充电器的正极弹片紧密接触。此时充电器的指示灯为红色, 表示正在充电。



(5.4) NWB-25A便携式充电器, 当指示灯在红绿间闪烁时表示电池已充电至90%以上。如果在此时取下矿灯使用, 有绳矿灯可以连续工作13小时以上。当指示灯为绿灯闪烁时, 表示电池已经完全充满。

(5.5) NWB-20便携式充电器, 当指示灯变为绿色时, 表示电池已经完全充满。

(5.6) 把灯头逆时针旋转180°, 再取下矿灯使用。

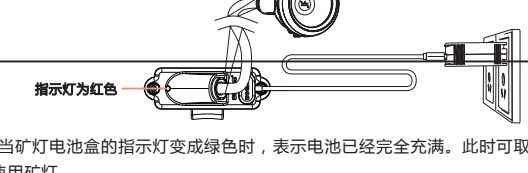
**6. USB充电方式**

(6.1) 将"5V,2A"电源适配器接上磁力USB充电线并插入"AC,100-240V"的插座, 电源适配器的指示灯为绿色。(如下图)

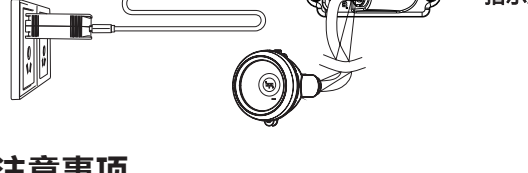


注: 各类符合USB标准的充电接口设备, 都可作为矿灯的充电器使用。

(6.2) 将磁力充电头端子接于矿灯的USB充电点, 确保磁力头的触点和USB充电点位置紧密接触。此时矿灯电池盒的指示灯为红色, 表示正在充电。(如下图)



(6.3) 当矿灯电池盒的指示灯变成绿色时, 表示电池已经完全充满。此时可取下磁力USB充电线, 正常使用矿灯。



**7. 注意事项**

- (1) 有绳矿灯出厂前已经充电至半饱, 使用前请先用充电器对矿灯充电至充满。
- (2) 请采用本产品配套的充电器, 充电架或磁力USB充电线进行充电, 若使用其他类型充电器充电会损坏矿灯。
- (3) 为了保证矿灯的照明质量, 请注意及时清洁矿灯的灯头PC镜片。
- (4) 当矿灯长时间不用时, 每隔两个月遵照以下步骤进行一次维护: 完全充电--完全放电--2小时充电的维护操作。
- (5) 为了确保矿灯的充电功能正常, 请及时清洁USB充电点限位槽里的污垢。

**8. 故障与检修**

故障描述	故障分析	处理方法
按键不能开灯	电池电量耗尽	将矿灯接到充电器上充电
放电时间不足13小时	电池没充满	充电时确保矿灯和充电器的良好接触

**9. 安全警示**

- (1) 矿灯在工作时不能直接对人眼睛照射, 否则强光会损伤人的视力。
- (2) 严禁随意拆卸矿灯零部件, 严禁在井下使用缺少零件的矿灯, 否则会影响安全性及可靠性。
- (3) 严禁摔打矿灯。
- (4) 严禁在井下对矿灯充电。
- (5) 严禁将矿灯靠近或投入火源中。
- (6) 严禁在井下拆、卸矿灯或更换零部件。矿灯的维护、维修工作必须在地面进行。不能随意改变矿灯结构及零部件。
- (7) 不得擅自拆卸、维修电池部件。
- (8) 报废矿灯应集中处理, 不得随意丢弃。

电话: 0755-28990261  
邮箱: info@wisdom.hk  
工厂地址: 深圳市龙岗区龙城街道峰背路9号1楼、4楼  
邮编: 518172

[www.wisdom.hk](http://www.wisdom.hk)